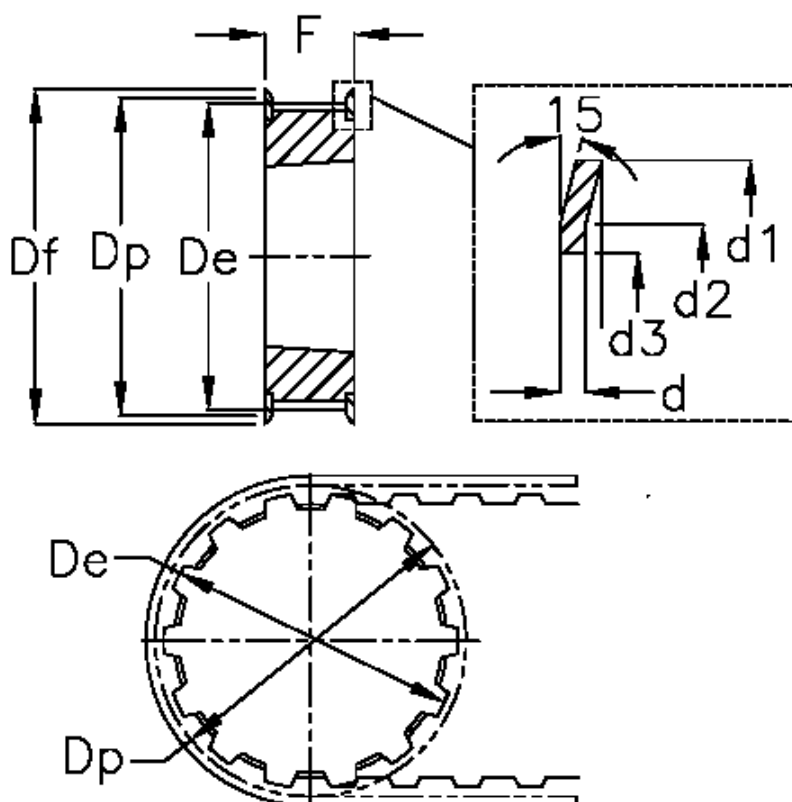


Article number: 604132036030

Description: Taper bored timing belt pulley
HTD 36 8M 30 TL 1615

Measures



$d = 1.5$	Flange type = F33
$d1 = 97$	For bushing = 1615
$d2 = 93.8$	Max bore = 42
$d3 = 83$	S = 38
$De = 90.3$	Tooth number = 36
$Df = 97$	Type = 8M
$Dp = 91.67$	Weight = 0.96
$F = 38$	Width = 30